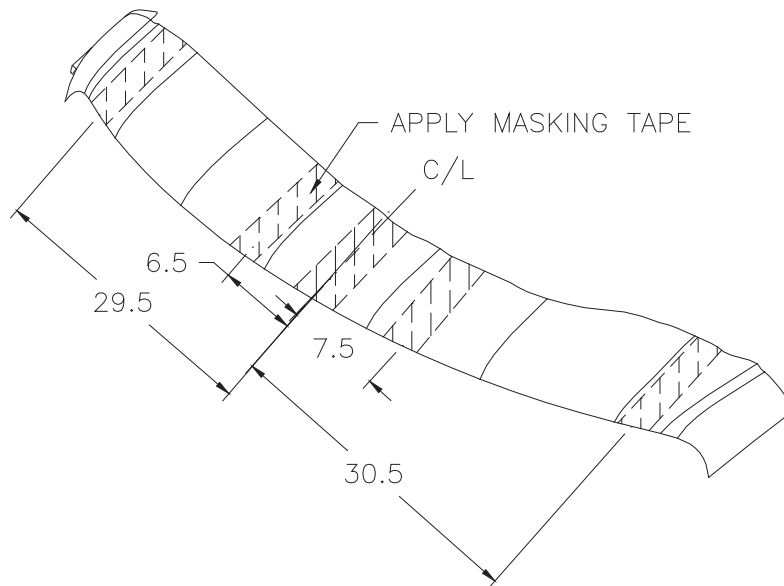


SUNVISOR PETERBILT 567

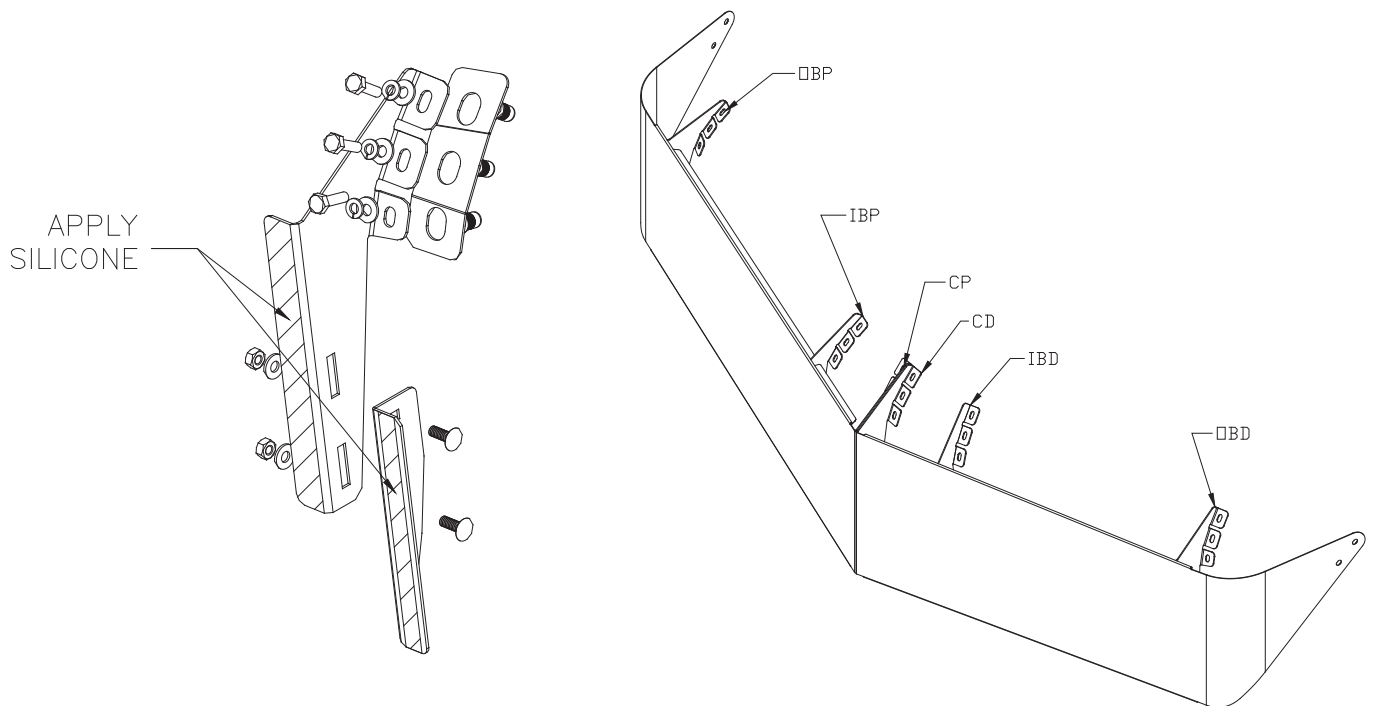
INSTALLATION INSTRUCTIONS

READ ALL INSTRUCTIONS BEFORE PROCEEDING

1. Remove and unplug the center light from the roof of the truck and set aside.
2. To protect the paint, apply masking tape to a 3" wide section of the roof down the centerline from the window trim to the center light. (see diagram below)
3. Apply masking tape to a 3" wide section of the roof 6.5" and one 29.5" to the passenger side from the centerline and 7.5" and 30.5" to the driver's side from the centerline. Apply a section of tape above the door where the visor will be bolted to the side of the roof.



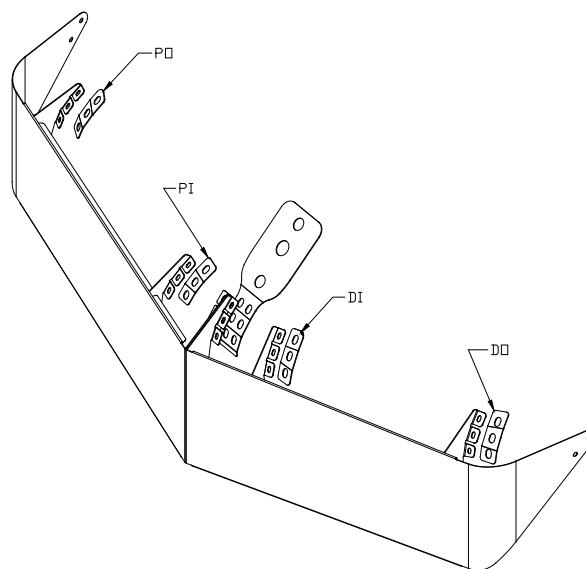
4. Assemble the visor.
 - a. Remove plastic from the top and bottom hemmed-over edges and center bends. The only remaining plastic should be on the visor faces.
 - b. Loosely attach brackets to the slide-lock brackets using the supplied $\frac{1}{4}$ -20 carriage bolts, washers and locknuts (see bracket pic below)
 - c. Apply a generous amount of silicone to the face of the bracket assemblies and slide into the notches of the visor halves (see below). Spread brackets out as far as they'll go and tighten. Clean up any remaining silicone.
 - d. Sandwich the visor halves between the center brackets and assemble using the supplied $\frac{1}{4}$ -20 x $\frac{3}{4}$ " hex bolts, washers and locknuts.



5. Cutout the drill template that is provided.
6. Lay the drill template on top of the roof, lining it up to the edge of the windshield trim and the centerline to the center of the center light. Place the center base plate overtop the drill template and align the holes to the light mounting holes.
7. Using a pen, mark the hole centers to the taped off sections and set the template and bracket aside.
8. Set the visor assembly on the truck to verify all marked locations correspond to the visor bracket holes.
9. Drill a pilot hole using a 1/8" drill bit. Drill out each location using a 25/64" drill bit. In some locations the inner structure is not deep enough for a nutsert to be inserted into the hole and must be drilled through as well.
10. Remove tape from around the drilled holes and install the 1/4-20 nutserts in all holes using an insert gun or the tool provided.
11. Lay the assembled visor on the roof and loosely bolt down with 1 bolt in each of the 4 center brackets.
12. Measure the windshield to the outer end of the bottom hem on both sides and from the seam of the a-pillar to the edge of the hem on both sides to make sure the visor is sitting properly (measures the same on both sides) and tighten the hardware. (see photos)



13. Using a pen, mark the hole centers of the outside bracket holes on the taped section and the two end holes of the visor halves to the section above the door.
14. Remove the visor and drill out each bracket hole location using a 1/8" bit, then a 25/64" drill bit. The end holes need to be drilled 3/4" away from the lower edge of the door cutout with a 3/8" drill bit. Any higher and it will be extremely difficult to install the hardware.
15. Remove all the tape applied to the roof.
16. Lay the base brackets down on the roof. The nutsert heads should sit inside the slots.
17. Apply a generous amount of silicone between the center bracket holes and the light mounting holes and grommet. Apply a single bead of silicone around all 3 holes on the bracket. Re-install the center light, making sure the center bracket is straight and aligned to all the nutserts.



18. Apply a generous amount of silicone into all the nutsert holes and install the visor using the supplied $\frac{1}{4}$ -20 x 1" long bolts, lockwashers and washers. The use of Loctite is recommended, but not supplied. Re-take the measurements from step 11 before tightening any bolts.
Do not over tighten hardware, as it may cause the nutserts to spin (max 96 in-lb)
19. Pull the door seal down from above the door. Place a standard $\frac{1}{4}$ -20 nut in an open-end wrench and hold inside the door seal groove adjacent to the drilled hole and attach the visor ends using the supplied $\frac{1}{4}$ -20x $\frac{3}{4}$ " hex bolt, lockwasher and flatwasher. Re-install door seal.
20. Peel plastic from visor and clean with glass cleaner, if necessary.